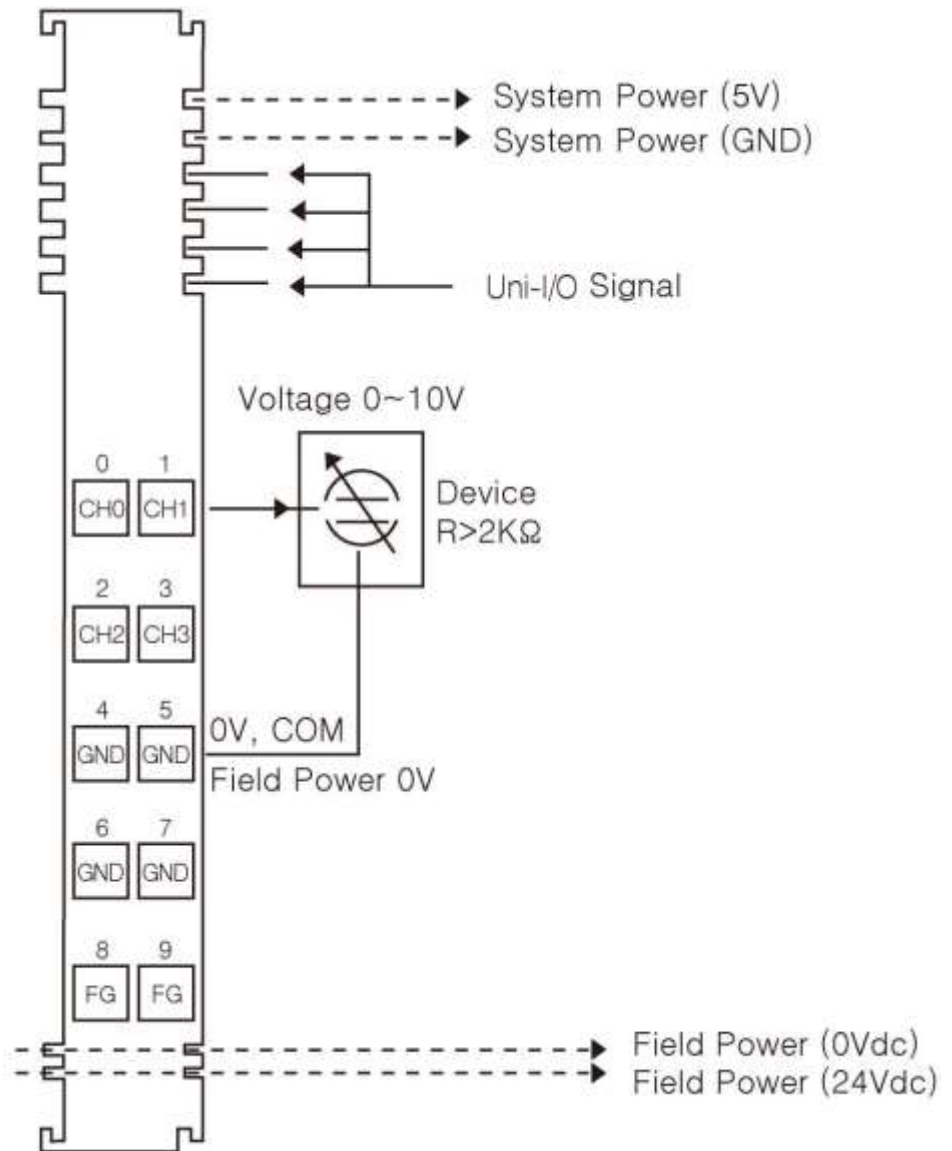
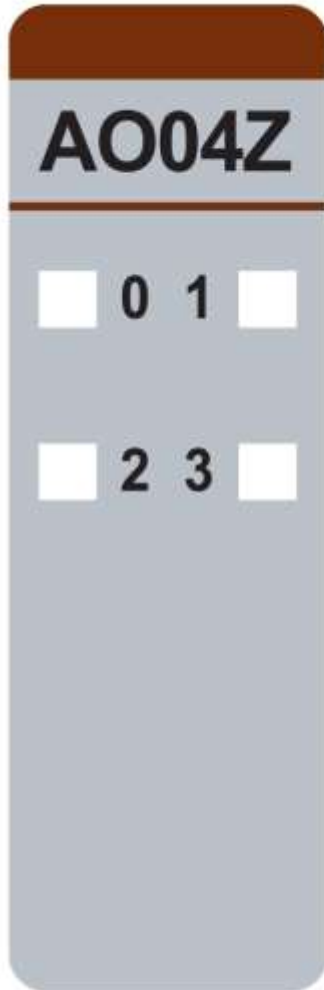


1. Specifications

Items	Specification
Outputs per module	4 Outputs single ended
Indicators(Logic side)	4 Green Output status
Resolution in Ranges	16 bit (Include Sign) 15 bits : 0.31mV/bit
Output Range	0 ~ 10VDC
Data Format	16bits Integer (2' compliment)
Module Error	±0.1% Full Scale @ 25°C ±0.3% Full Scale @ -40°C, 70°C
Load Resistance	Min. 2KΩ
Conversion Time	Max. 150usec / All output
Diagnostic	Field Power Off: LED Blinking Field Power On: No Output LED Off Field Power On: Output LED On
Calibration	Not Required
Common Type	4 Common, Field Power 0V is Common(AGND)
Power dissipation	Max. 30mA @ 5.0Vdc
Isolation	I/O to Logic : Isolation Field power : Non-Isolation
Field Power	Supply Voltage : 24Vdc nominal Voltage Range : 18 to 32VDC Power Dissipation : Max. 35mA @ 24VDC
Wiring	I/O Cable Max. 2.0mm2(AWG 14)
Weight	58g
Module Size	12mm x 99mm x 70mm

2. Wiring Diagram



Pin No.	Signal Description	Pin No.	Signal Description
0	Analog Output 0	1	Analog Output 1
2	Analog Output 2	3	Analog Output 3
4	Output Common(AGND)	5	Output Common(AGND)
6	Output Common(AGND)	7	Output Common(AGND)
8	Field Ground	9	Field Ground

3. LED Indicators

LED No.	LED Function / Description	LED Color
0	Output 0	Green
1	Output 1	Green
2	Output 2	Green
3	Output 3	Green

Status	LED	Indication
Normal Operation	No Output Off Output Green	No Output Output
Field Power Error	All Channel Repeat the Green and Off	Field power is unconnected.