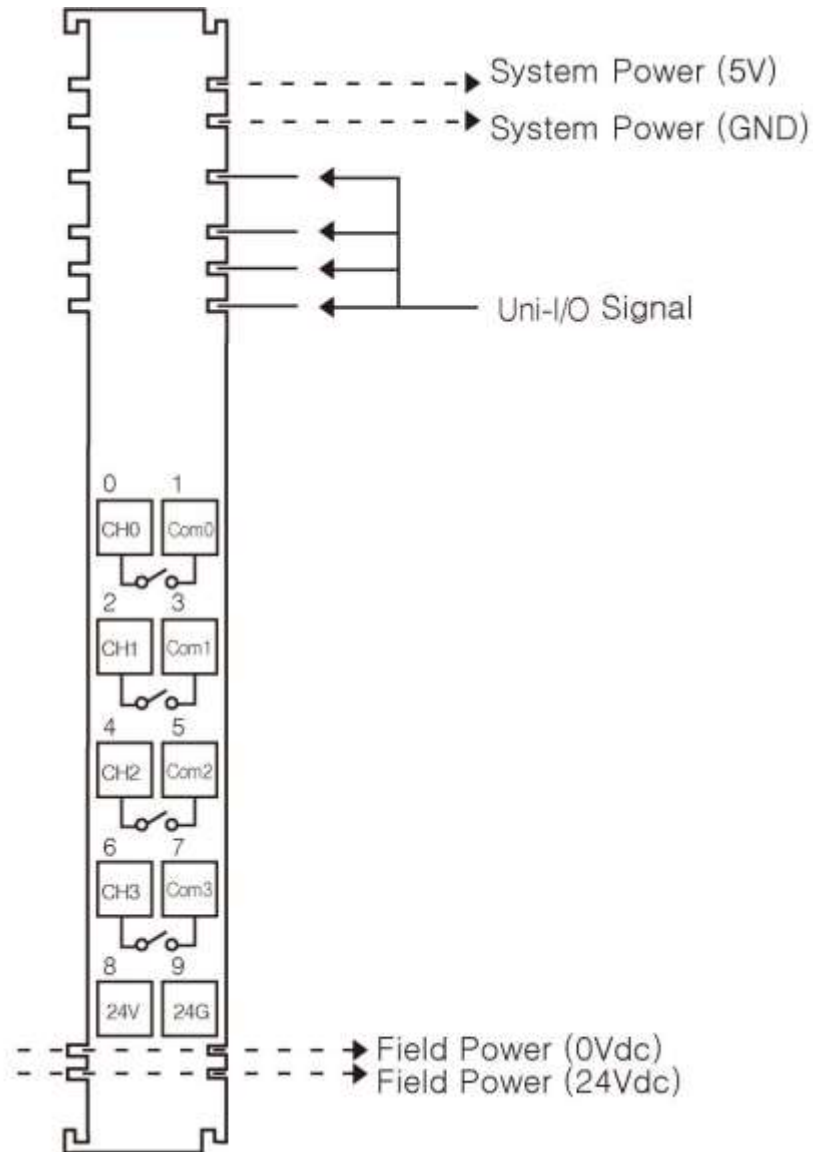
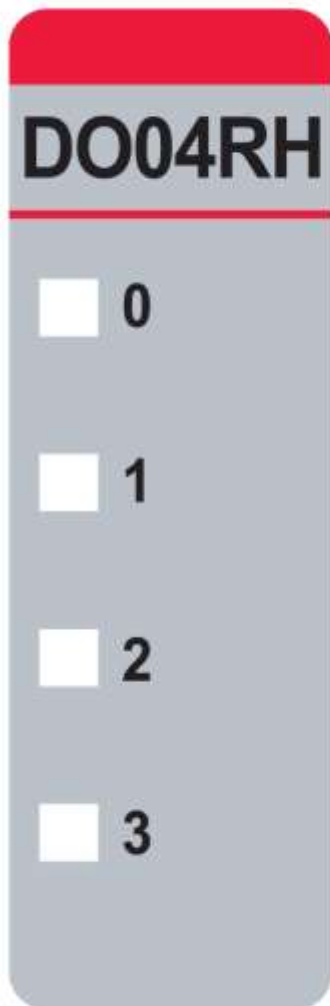


# URD-0004RH (DO04RH) - 4 Relay Outputs Art. No. 156777

## 1. Specifications

Items	Specification
Output per module	4 Points, Bi-directional
Indicators (Logic side)	4 Green Output state
Relay Type	Form A, Single Pole Single Throw (SPST)
Output Voltage Range ( Load Dependent )	0~32Vdc @ 2.0A resistive 48Vdc @ 0.8A resistive 110Vdc @ 0.5A resistive Max. 240Vac @ 2.0A resistive
Output Current Rating ( At rated power )	2.0A @ 0~32VDC 0.8A @ 48VDC 0.5A @ 110VDC 2.0A @ 240VAC -40°C~70°C (2A Load 2ch) -40°C~60°C (2A Load 4ch)
Output Delay Time (resistive load)	OFF to ON: Max. 5ms @ 24VDC ON to OFF: Max. 8ms @ 24VDC OFF to ON: Max. 5ms @ 220VAC ON to OFF: Max. 15ms @ 220VAC
Expected Contact Life	20M Cycles (Resistive)
Frequency Range (VAC)	47Hz ~ 63Hz
Max. On-State Voltage Drop*	0.5V @ 2.0A, Resistive Load, 24VDC
Commons Type	4Points / 2COM (Single Common)
Power dissipation	35mA @ 5.0VDC
Isolation	I/O to Logic : Isolation Field Power : Non-isolation
Field Power	Supply voltage : 24VDC nominal Voltage range : 22 to 26VDC Power dissipation: 30mA @ 24VDC (AC Power Not used)
Wiring	I/O Cable Max. 2.0mm <sup>2</sup> (AWG 14)
Weight	58g
Module Size	12mm x 99mm x 70mm

## 2. Wiring Diagram



Pin No.	Signal Description	Pin No.	Signal Description
0	Output 0	1	COM 0
2	Output 1	3	COM 1
4	Output 2	5	COM 2
6	Output 3	7	COM 3
8	Field Power 24V	9	Field Power 0V

### 3. LED Indicators

<b>LED No.</b>	<b>LED Function / Description</b>	<b>LED Color</b>
0	Output 0	Green
1	Output 1	Green
2	Output 2	Green
3	Output 3	Green

<b>Status</b>	<b>LED</b>	<b>Indication</b>
Not Signal	Off	Normal Operation
On Signal	Green	Normal Operation