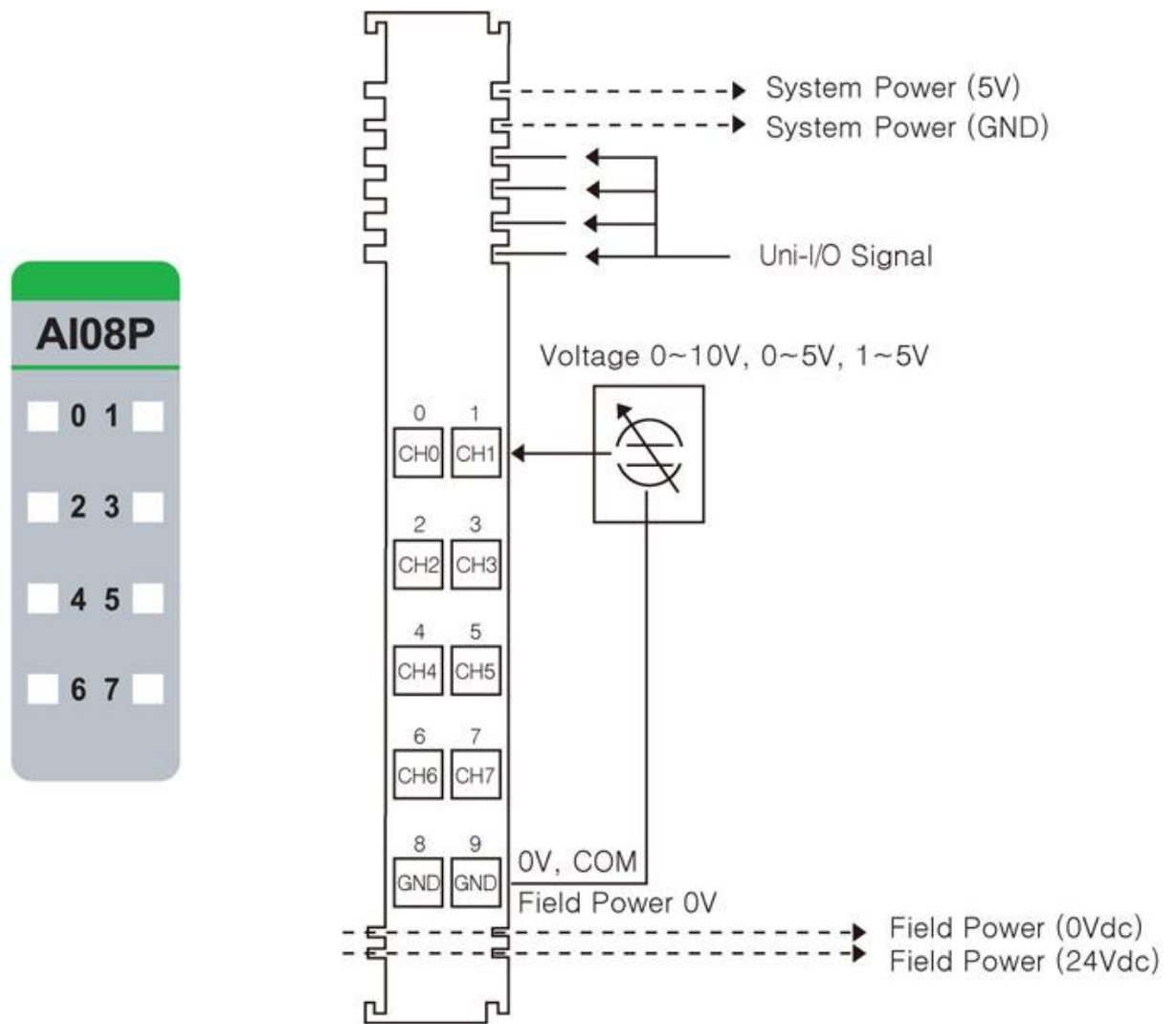


## URA-0800P (AI08P) - 8 Analog Voltage Inputs 12bit

| Items                   | Specification  |
|-------------------------|--|
| Inputs per module       | 8 Inputs single ended, non-isolated between inputs   |
| Indicators(Logic side ) | 8 Green Input status   |
| Resolution in Ranges    | 12 bits : 2.44mV/Bit(0~10V) , 1.22mV/Bit(0~5V)   |
| Input Current Range     | 0~10VDC, 0~5 VDC, 1~5 VDC  |
| Data Format             | 16bits Integer (2's complement)  |
| Module Error            | ±0.1% Full Scale @ 25 °C (77°F) ambient<br>±0.3% Full Scale @ -40°C, 70°C (-40°F to 158°F)   |
| Input Impedance         | 500kΩ  |
| Diagnostic              | Diagnostic Field Power Off : LED Blinking<br>Field Power On : LED Off < 0.5% (Maximum Input Value)<br>Field Power On : LED On > 0.5% (Maximum Input Value) |
| Conversion Time         | ≤1msec / All Input (≤ 0.125ms per input)   |
| Calibration             | Not Required   |
| Common Type             | 2 Common, Field Power 0V is Common(AGND)   |
| Power dissipation       | Max. 30mA @ 5.0VDC   |
| Isolation               | I/O to Logic : Isolation<br>Field power : Non-Isolation  |
| Field Power             | Supply Voltage : 24VDC nominal<br>Voltage Range : 18 to 32VDC<br>Power Dissipation : Max. 30mA@24VDC   |
| Wiring                  | I/O Cable Max. 2.0mm <sup>2</sup> (AWG 14)   |
| Weight                  | 58g  |
| Module Size             | 12mm x 99mm x 70mm   |
| Operating temperature   | -40°C to 70°C (-40°F to 158°F)   |

## 1. Wiring Diagram



| Pin No. | Signal Description | Pin No. | Signal Description |
|---------|--------------------|---------|--------------------|
| 0       | Input 0            | 1       | Input 1            |
| 2       | Input 2            | 3       | Input 3            |
| 4       | Input 4            | 5       | Input 5            |
| 6       | Input 6            | 7       | Input 7            |
| 8       | Input Common(AGND) | 9       | Input Common(AGND) |

## 2. LED Indicators

| LED No. | LED Function / Description | LED Color |
|---------|----------------------------|-----------|
| 0       | Input 0                    | Green     |
| 1       | Input 1                    | Green     |
| 2       | Input 2                    | Green     |
| 3       | Input 3                    | Green     |
| 4       | Input 4                    | Green     |
| 5       | Input 5                    | Green     |
| 6       | Input 6                    | Green     |
| 7       | Input 7                    | Green     |

| Status            | LED   | Indication                 |
|-------------------|---|----------------------------|
| Normal Operation  | [LED Off < 0.5% (Maximum Input Value)] - Input OFF<br>[LED On > 0.5% (Maximum Input Value)] - Input Green | Normal Operation           |
| Field Power Error | All Input Repeat the Green and OFF  | Field Power is unconnected |