

URP-PS24V (PS24) - Input 24VDC, Output system Power 5VDC/1A Art. No. 156787

1. Specifications

Items	Specification
System Input Voltage range	15VDC to 32VDC
System Power Input Voltage	Normal 24VDC
Indicators	1 Green System Power state , 1 Green Field Power state, 1 Green G-Bus state
Field Power Input Voltage	Normal 24VDC ($\pm 20\%$)
Field Power Contacts Current	Max. 10A Operating Temperature -40°C~50°C : Max. 10A 50°C~70°C : Max. 7A
G-Bus Output Voltage	Max. 5VDC, 1A *
System power Dissipation	Max. 20mA @ 24VDC
Wring	I/O Cable Max. 2.0mm ² (AWG 14)
Weight	59g
Module size	12mm x 99mm x 70mm

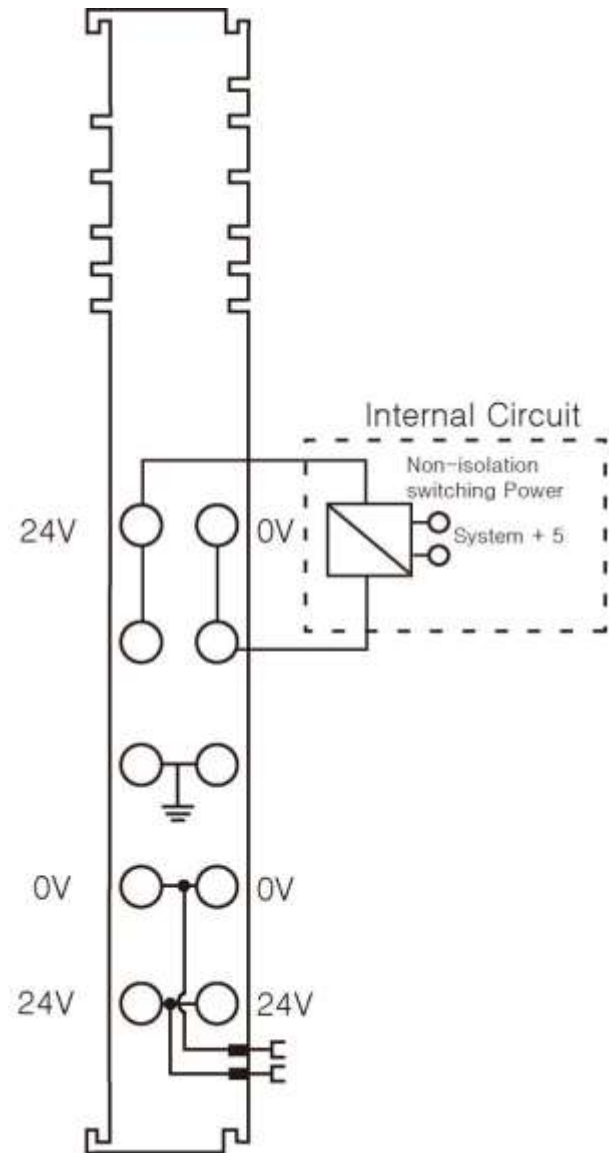
* Operating temperature

-40 ~ 70°C temperature range specification can be guaranteed under the following conditions.

- Current for I/O Modules : 0.4 A below.

- Otherwise, temperature specification can be guranteed with -40 ~ 60°C.

2. Wiring Diagram



Pin No.	Signal Description	Pin No.	Signal Description
0	System Power, 24V	1	System Power, Ground
2	System Power, 24V	3	System Power, Ground
4	F.G	5	F.G
6	Field Power, Ground	7	Field Power, Ground
8	Field Power, 24V	9	Field Power, 24V

3. LED Indicators

LED No.	LED Function / Description	LED Color
System Power	System Power	Green
Field Power	Field Power	Green
Status	Internal Bus Status	Green

Status	LED	Indication
On Signal	Green	Normal Operation
Not Signal	Off	Normal Operation

Status	LED	To indicate
Normal signal.	Green	The unit is operating in normal condition. (After normal initialization of RBUS communication, this LED maintains ON status.)
Absence of data size.	Flashing green	Although this module is connected normally, there are not input/output data for communication.
Absence of network adapter	Off	Network adapter is not connected to this module.