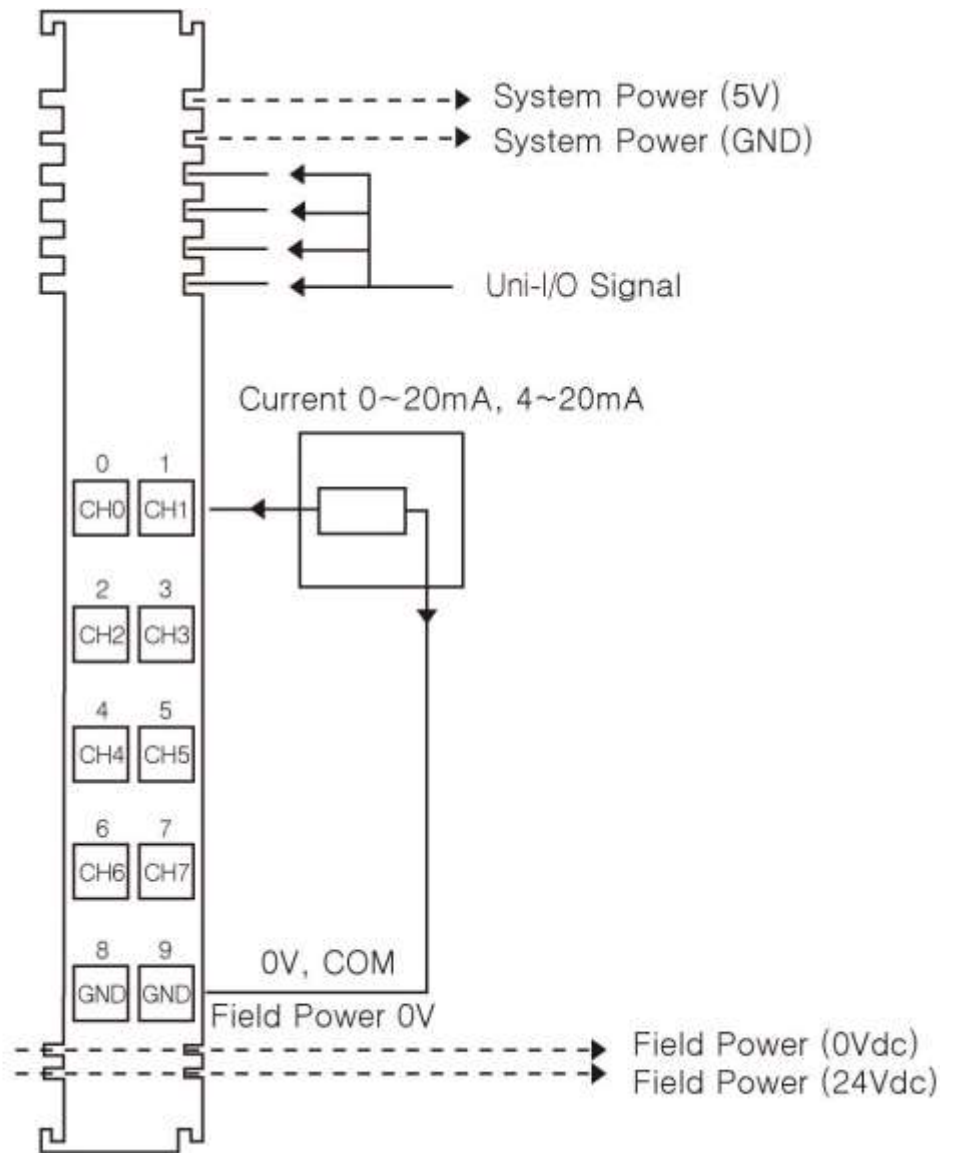
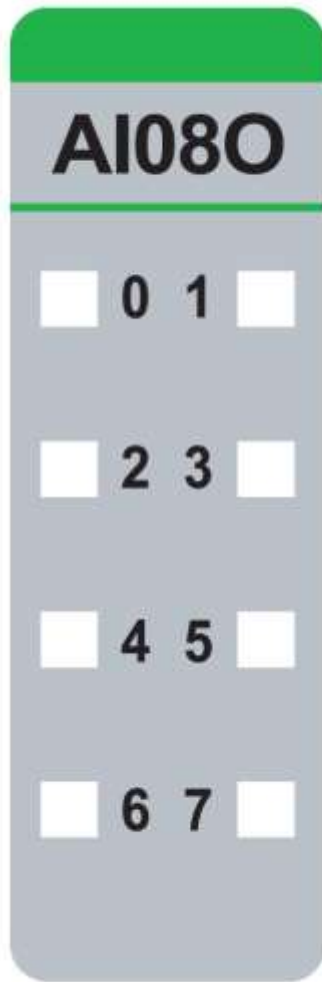


URA-08000 (AI080) - 8 Current Inputs 12bit Art. No. 156771

1. Specifications

Items	Specification
Inputs per module	8 Inputs single ended, non-isolated between inputs
Indicators(Logic side)	8 Green Input status
Resolution in Ranges	12 bits : 4.88uA/Bit(0~20mA), 3.91uA/Bit(4~20mA)
Input Range	0~20mA, 4~20mA
Data Format	16bits Integer (2' compliment)
Module Error	±0.1% Full Scale @ 25 °C ambient ±0.3% Full Scale @ -40 °C, 70 °C
Input Impedance	121.5Ω
Diagnostic	Diagnostic Field Power Off : LED Blinking Field Power On : LED Off < 0.5% (Maximum Input Value) Field Power On : LED On > 0.5% (Maximum Input Value) Maximum Range Over : LED Off > 21mA Minimum Range Over : LED Off < 3mA (4 ~ 20mA)
Conversion Time	≤ 1msec / All channel (≤ 0.125ms per channel)
Field calibration	Not Required
Common Type	2 Common, Field Power 0V is Common(AGND)
Power dissipation	Max. 30mA @ 5.0VDC
Isolation	I/O to Logic : Isolation Field power : Non-Isolation
Field Power	Supply Voltage : 24VDC nominal Voltage Range : 18 to 32VDC Power Dissipation : Max. 30mA@24VDC
Wiring	I/O Cable Max. 2.0mm ² (AWG 14)
Weight	58g
Module Size	12mm x 99mm x 70mm

2. Wiring Diagram



Pin No.	Signal Description	Pin No.	Signal Description
0	Input 0	1	Input 1
2	Input 2	3	Input 3
4	Input 4	5	Input 5
6	Input 6	7	Input 7
8	Input Common(AGND)	9	Input Common(AGND)

3. LED Indicators

LED No.	LED Function / Description	LED Color
0	Input 0	Green
1	Input 1	Green
2	Input 2	Green
3	Input 3	Green
4	Input 4	Green
5	Input 5	Green
6	Input 6	Green
7	Input 7	Green

Status	LED	Indication
Normal Operation	[LED Off < 0.5% (Maximum Input Value)] - Input OFF [LED On > 0.5% (Maximum Input Value)] - Input Green	Normal Operation
Overrun/Underrun	[LED Off > 21mA (Maximum Range Over) – Input OFF [LED Off < 3mA (Minimum Range Over , 4 ~ 20mA)] – Input OFF	Over range Check
Field Power Error	All Input Repeat the Green and OFF	Field Power is unconnected